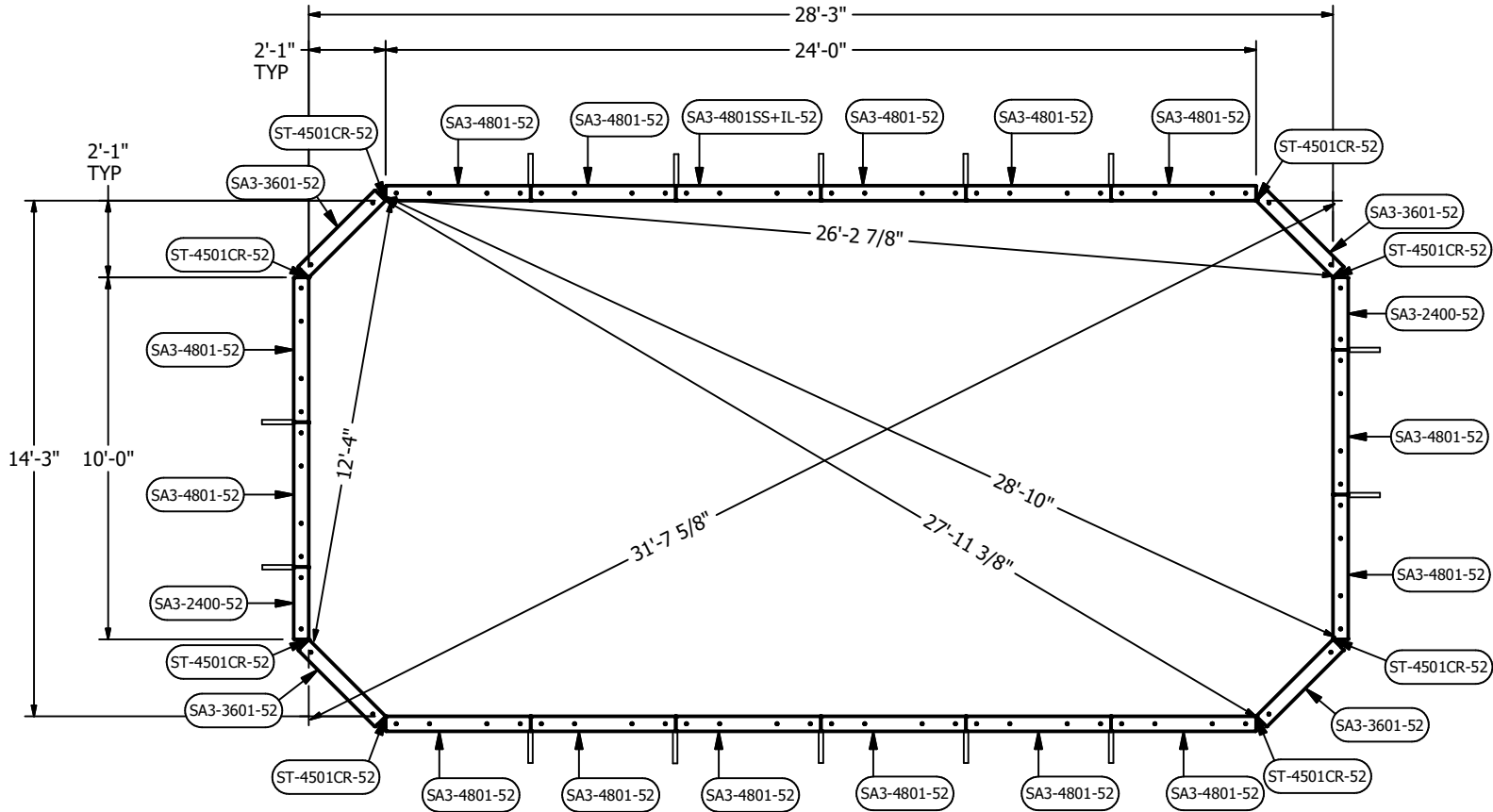


STEEL WALL POOL SYSTEM		
14'-3" X 28'-3" GRECIAN		
DWG #: GS-9751-DB	DATE: 8/3/2023	REV: - PAGE 1 OF 3
AREA (SqFt): 404	PERIMETER: 81	EST. VOL (US Gal):

# 1428 GRECIAN INGROUND KIT



**RADIUS STEP OPTION**  
SEE INSTALL GUIDE FOR INSTALLATION

K2FS-1428G6SB - BLUE  
K2FS-1428G6SG - GREY  
K2FS-1428G6SW - WHITE

BILL OF MATERIALS			BRACE / HARDWARE OPTIONS		COPING			
QTY	PART NUMBER	DESCRIPTION	QTY	PART NUMBER	DESCRIPTION	QTY	PART NUMBER	DESCRIPTION
2	SA3-2400-52	Stl Pnl 24" Plain (52" Tall)	14	ST-1020ENB-52	Stl Brc Embedded Nut Brace+Stake	1	HW-2012	Hdw No-Diving Plate(7/Bag)
4	SA3-3601-52	Stl Pnl 36" Plain (52" Tall) - 1 Rib	44	ST-1012DK	Stl Brc Drive Stake (1 Piece)	1	HW-1007	Hdw 12x1" Tek Screws - 100/Box
15	SA3-4801-52	Stl Pnl 48" Plain (52" Tall) - 1 Rib	1	HW-2005	Hdw Steel Grc/Rrd Kit	1	ATG-1001G	Alu Txt Clips - Grey - 15/Bag
1	SA3-4801SS+IL-52	Stl Pnl 48" Skim(1084)+Inlet Lft (52" Tall) - Rib	4	HW-2013	Hdw Steel Add-on Kit (3/8" Bolts-100, 3/8" Nuts-100)	2	ATG-9606G	Alu Txt 8' Bull Std-Str Grey-6/Box
8	ST-4501CR-52	Stl Pnl 45 Deg Corner - S/1(52" Tall)				1	ATG-9601G	Alu Txt 8' Bull Std-Str Grey-1/Box
						1	ATG-4508CRG	Alu Txt 45 Deg Bull Std-Cr Grey-8/Box

**NO DIVING** DANGER: DIVING MAY RESULT IN SERIOUS INJURY OR DEATH. Signage must be permanently attached around the perimeter of the pool.

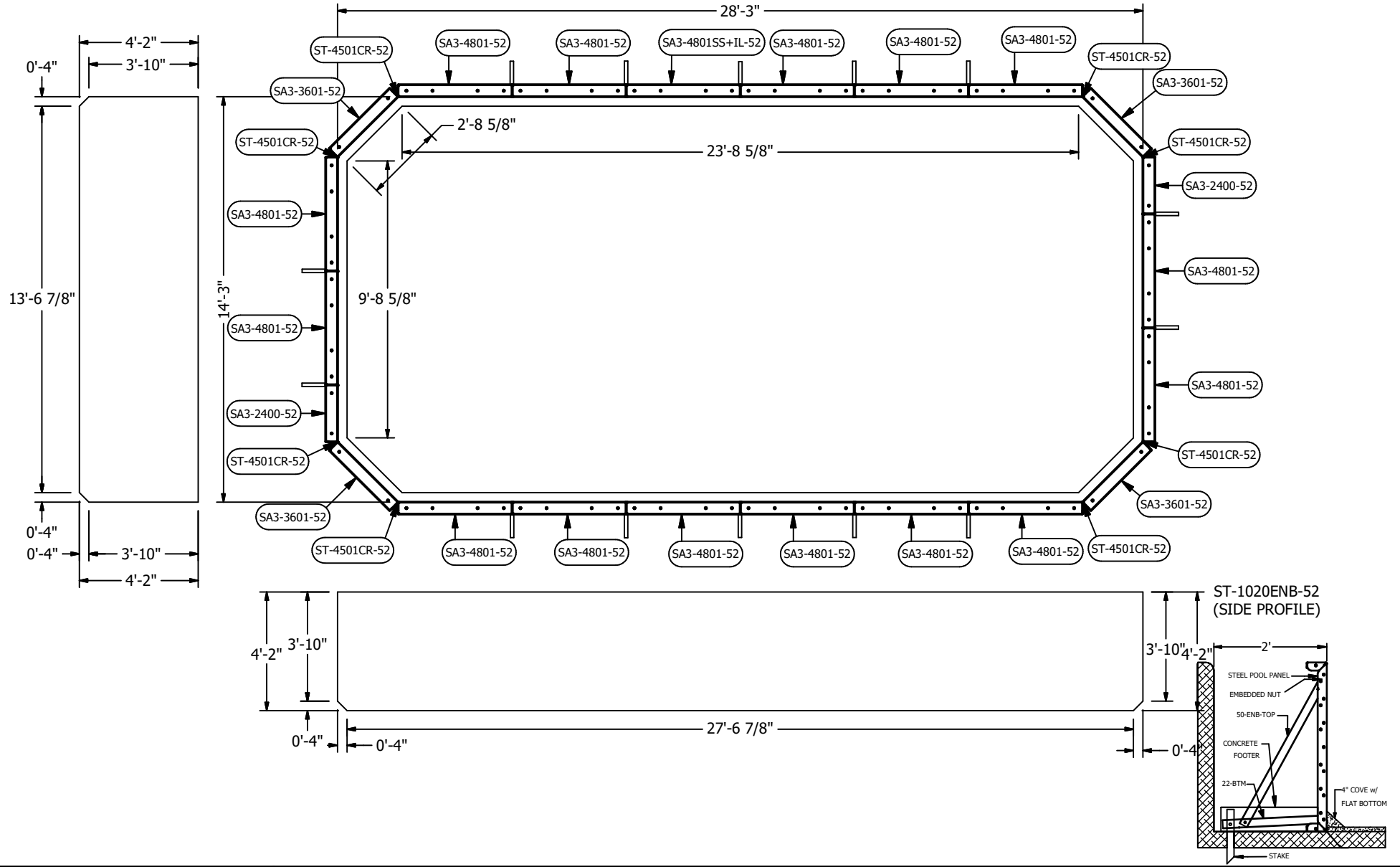
THIS DOCUMENT IS FOR ILLUSTRATIVE PURPOSES ONLY. Original Equipment Manufacturer makes only those representations which are stated in its written warranty. Any other representations, statements, or contracts made by the dealer/contractor to the customer regarding any components produced by Original Equipment Manufacturer are attributable to the dealer/contractor only. The dealer or contractor who sells or installs your pool is an independent contractor and is not an agent or employee of Original Equipment Manufacturer. The construction methods illustrated here are suggestions and apply only to normal ground conditions. There may be additional precautions and/or methods of construction. The responsibility is the contractor's. -A safety line, with buoys, is to be permanently attached 1'-0" to the shallow side of the point of first slope change. -Different methods and precautions may be dictated by various ground conditions. This is to be determined by and is the responsibility of the contractor who is not an agent of the manufacturer of the component parts. -Installation is to be done in accordance with all federal, state and local building codes, as well as A.N.S.I./N.S.P.I. suggested standards. -BOTTOM SPECIFICATIONS MUST MEET OR EXCEED A.N.S.I./N.S.P.I./A.P.S.P. RECOMMENDED STANDARDS -NO DIVING signage must be permanently attached to the entire perimeter of the pool. See instructions with signage. -IT IS RECOMMENDED TO NOT INSTALL DIVING BOARDS AND/OR SLIDING EQUIPMENT ON RESIDENTIAL POOLS. If diving boards and/or sliding equipment is installed by the contractor, such diving boards and sliding equipment MUST BE INSTALLED WITHIN THE GUIDELINES ESTABLISHED BY ANSI/NSPI/ASPA RECOMMENDED STANDARDS, AND IN ACCORDANCE WITH ALL APPLICABLE STATE AND LOCAL CODES AND REGULATIONS.

STEEL WALL POOL SYSTEM

14'-3" X 28'-3" GRECIAN

DWG #: GS-9751-DB DATE: 8/3/2023 REV: - PAGE 2 OF 3

AREA (SqFt): 404 PERIMETER: 81 EST. VOL (US Gal):



**NO DIVING** DANGER: DIVING MAY RESULT IN SERIOUS INJURY OR DEATH. Signage must be permanently attached around the perimeter of the pool.

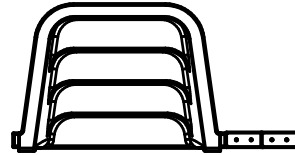
THIS DOCUMENT IS FOR ILLUSTRATIVE PURPOSES ONLY. Original Equipment Manufacturer makes only those representations which are stated in its written warranty. Any other representations, statements, or contracts made by the dealer/contractor to the customer regarding any components produced by Original Equipment Manufacturer are attributable to the dealer/contractor only. The dealer or contractor who sells or installs your pool is an independent contractor and is not an agent or employee of Original Equipment Manufacturer. The construction methods illustrated here are suggestions and apply only to normal ground conditions. There may be additional precautions and/or methods of construction. The responsibility is the contractor's. -A safety line, with buoys, is to be permanently attached 1'-0" to the shallow side of the point of first slope change. -Different methods and precautions may be dictated by various ground conditions. This is to be determined by and is the responsibility of the contractor who is not an agent of the manufacturer of the component parts. -Installation is to be done in accordance with all federal, state and local building codes, as well as A.N.S.I./N.S.P.I. suggested standards. -BOTTOM SPECIFICATIONS MUST MEET OR EXCEED A.N.S.I./N.S.P.I./A.P.S.P. RECOMMENDED STANDARDS. -NO DIVING signage must be permanently attached to the entire perimeter of the pool. See instructions with signage. -IT IS RECOMMENDED TO NOT INSTALL DIVING BOARDS AND/OR SLIDING EQUIPMENT ON RESIDENTIAL POOLS. IF diving boards and/or sliding equipment is installed by the contractor, such diving boards and sliding equipment MUST BE INSTALLED WITHIN THE GUIDELINES ESTABLISHED BY ANSI/NSPI/ASPA RECOMMENDED STANDARDS, AND IN ACCORDANCE WITH ALL APPLICABLE STATE AND LOCAL CODES AND REGULATIONS.

ICC ES PMG hydrosphere SERIES Semi-Inground Pool by Doughboy

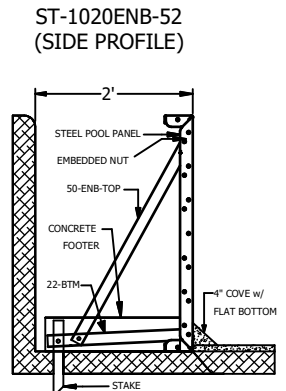
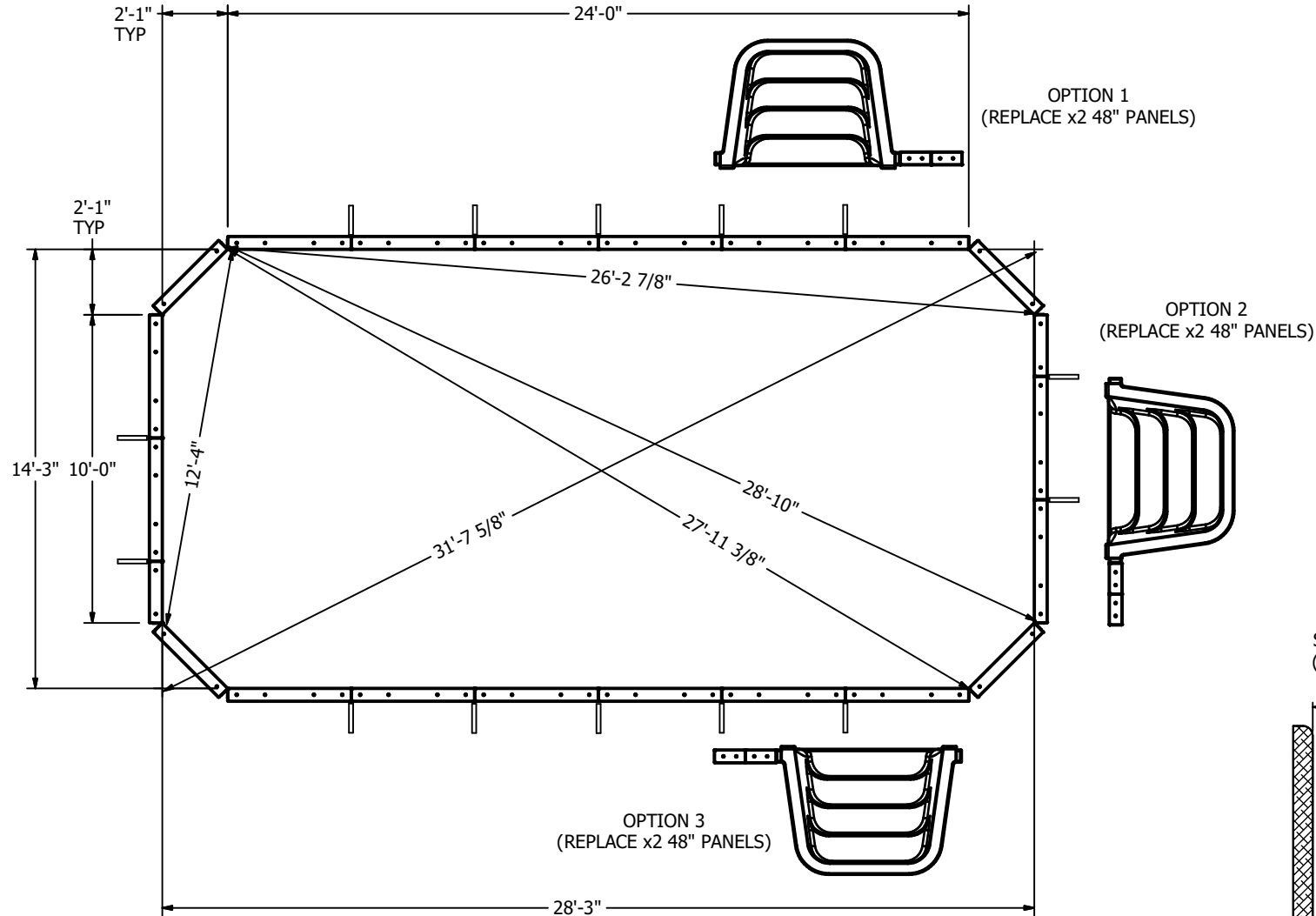
STEEL WALL POOL SYSTEM

14'-3" X 28'-3" GRECIAN

DWG #: GS-9751-DB	DATE: 8/3/2023	REV: -	PAGE 3 OF 3
AREA (SqFt): 404	PERIMETER: 81	EST. VOL (US Gal):	



K2FS-1428G6SB - BLUE  
 K2FS-1428G6SG - GREY  
 K2FS-1428G6SW - WHITE  
 (KIT CONTAINS x2 SA3-1200-52 PANELS WHICH CAN BE USED IN COMBINATION TO ACCOMMODATE 6' STEP)



**NO DIVING** DANGER: DIVING MAY RESULT IN SERIOUS INJURY OR DEATH. Signage must be permanently attached around the perimeter of the pool.

THIS DOCUMENT IS FOR ILLUSTRATIVE PURPOSES ONLY. Original Equipment Manufacturer makes only those representations which are stated in its written warranty. Any other representations, statements, or contracts made by the dealer/contractor to the customer regarding any components produced by Original Equipment Manufacturer are attributable to the dealer/contractor only. The dealer or contractor who sells or installs your pool is an independent contractor and is not an agent or employee of Original Equipment Manufacturer. The construction methods illustrated here are suggestions and apply only to normal ground conditions. There may be additional precautions and/or methods of construction. The responsibility is the contractor's. -A safety line, with buoys, is to be permanently attached 1'-0" to the shallow side of the point of first slope change. -Different methods and precautions may be dictated by various ground conditions. This is to be determined by and is the responsibility of the contractor who is not an agent of the manufacturer of the component parts. -Installation is to be done in accordance with all federal, state and local building codes, as well as A.N.S.I./N.S.P.I. suggested standards. -BOTTOM SPECIFICATIONS MUST MEET OR EXCEED A.N.S.I./N.S.P.I./A.P.S.P. RECOMMENDED STANDARDS -NO DIVING signage must be permanently attached to the entire perimeter of the pool. See instructions with signage. -IT IS RECOMMENDED TO NOT INSTALL DIVING BOARDS AND/OR SLIDING EQUIPMENT ON RESIDENTIAL POOLS. If diving boards and/or sliding equipment is installed by the contractor, such diving boards and sliding equipment MUST BE INSTALLED WITHIN THE GUIDELINES ESTABLISHED BY ANSI/NSPI/ASPA RECOMMENDED STANDARDS, AND IN ACCORDANCE WITH ALL APPLICABLE STATE AND LOCAL CODES AND REGULATIONS.

