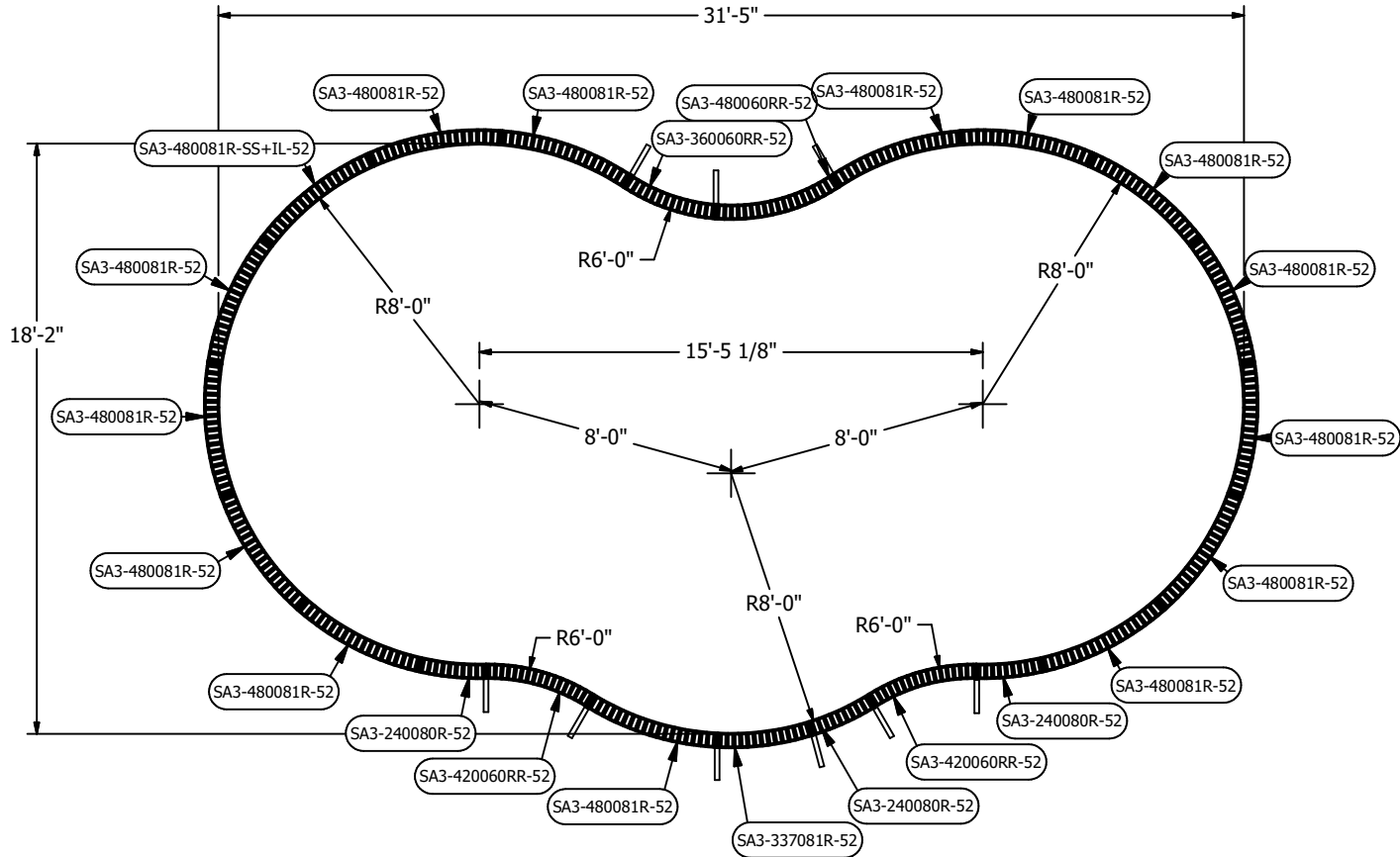


STEEL WALL POOL SYSTEM

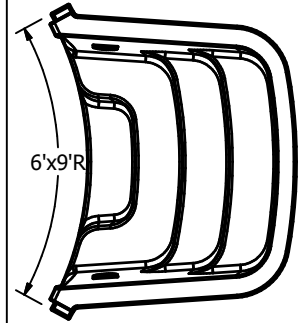
18'-2" x 31'-5" FREEFORM

DWG #: GS-11078-DB	DATE: 8/3/2023	REV: -	PAGE 1 OF 5
AREA (SqFt): 447	PERIMETER: 83'	EST. VOL (US Gal): TBD	

1832 FREEFORM INGROUNDT KIT



RADIUS STEP OPTION
SEE INSTALL GUIDE FOR
INSTALLATION



K2FS-1832R6B - BLUE
K2FS-1832R6G - GREY
K2FS-1832R6W - WHITE

MATERIALS		
QTY	PART #	DESCRIPTION
3	SA3-240080R-52	Stl Pnl 24" x 8'R (52" Tall)
1	SA3-337081R-52	Stl Pnl 33 7/8" x 8'R - 1 Rib (52" Tall)
1	SA3-360060RR-52	Stl Pnl 36" x 6'R Reverse (52" Tall)
2	SA3-420060RR-52	Stl Pnl 42" x 6'R Reverse (52" Tall)
1	SA3-480061RR-52	Stl Pnl 48" x 6'R Reverse - 1 Rib (52" Tall)
14	SA3-480081R-52	Stl Pnl 48" x 8'R - 1 Rib (52" Tall)
1	SA3-480081R-SS+IL-52	Stl Pnl 48" x 8'R Skim1084 + Inlet Left (52" Tall)

BRACE / HARDWARE OPTIONS		
QTY	PART NUMBER	DESCRIPTION
9	ST-1020ENB-52	Stl Brc Embedded Nut Brace+Stake
1	HW-2002	Hdw Steel/Rrd Kit
3	HW-2013	Hdw Steel Add-on Kit (3/8" Bolts-100, 3/8" Nuts-100)

COPING		
QTY	PART #	DESCRIPTION
1	HW-2012	Hdw No-Diving Plate (7/Bag)
1	HW-1007	Hdw 12x1" Tek Screws - 100/Box
1	ATG-1001G	Alu Txt Clips - Grey - 15/Bag
2	ATG-960084RG	Alu Txt 8'x8'R Bullnose Std - Grey -4/Box
1	ATG-960081RG	Alu Txt 8'x8'R Bullnose Std - Grey -1/Box
2	ATG-960061RRG	Alu Txt 8'x6'R Reverse Bullnose Std - Grey -1/Box

NO DIVING DANGER: DIVING MAY
RESULT IN SERIOUS
INJURY OR DEATH.
Signage must be permanently attached
around the perimeter of the pool.

THIS DOCUMENT IS FOR ILLUSTRATIVE PURPOSES ONLY. Original Equipment Manufacturer makes only those representations which are stated in its written warranty. Any other representations, statements, or contracts made by the dealer/contractor to the customer regarding any components produced by Original Equipment Manufacturer are attributable to the dealer/contractor only. The dealer or contractor who sells or installs your pool is an independent contractor and is not an agent or employee of Original Equipment Manufacturer. The construction methods illustrated here are suggestions and apply only to normal ground conditions. There may be additional precautions and/or methods of construction. The responsibility is the contractor's. -A safety line, with buoys, is to be permanently attached 1'-0" to the shallow side of the point of first slope change. -Different methods and precautions may be dictated by various ground conditions. This is to be determined by and is the responsibility of the contractor who is not an agent of the manufacturer of the component parts. -Installation is to be done in accordance with all federal, state and local building codes, as well as A.N.S.I./N.S.P.I. suggested standards. -BOTTOM SPECIFICATIONS MUST MEET OR EXCEED A.N.S.I./N.S.P.I./A.P.S.P. RECOMMENDED STANDARDS -NO DIVING signage must be permanently attached to the entire perimeter of the pool. See instructions with signage. -IT IS RECOMMENDED TO NOT INSTALL DIVING BOARDS AND/OR SLIDING EQUIPMENT ON RESIDENTIAL POOLS. If diving boards and/or sliding equipment is installed by the contractor, such diving boards and sliding equipment MUST BE INSTALLED WITHIN THE GUIDELINES ESTABLISHED BY ANSI/NSPI/ASPA RECOMMENDED STANDARDS, AND IN ACCORDANCE WITH ALL APPLICABLE STATE AND LOCAL CODES AND REGULATIONS.

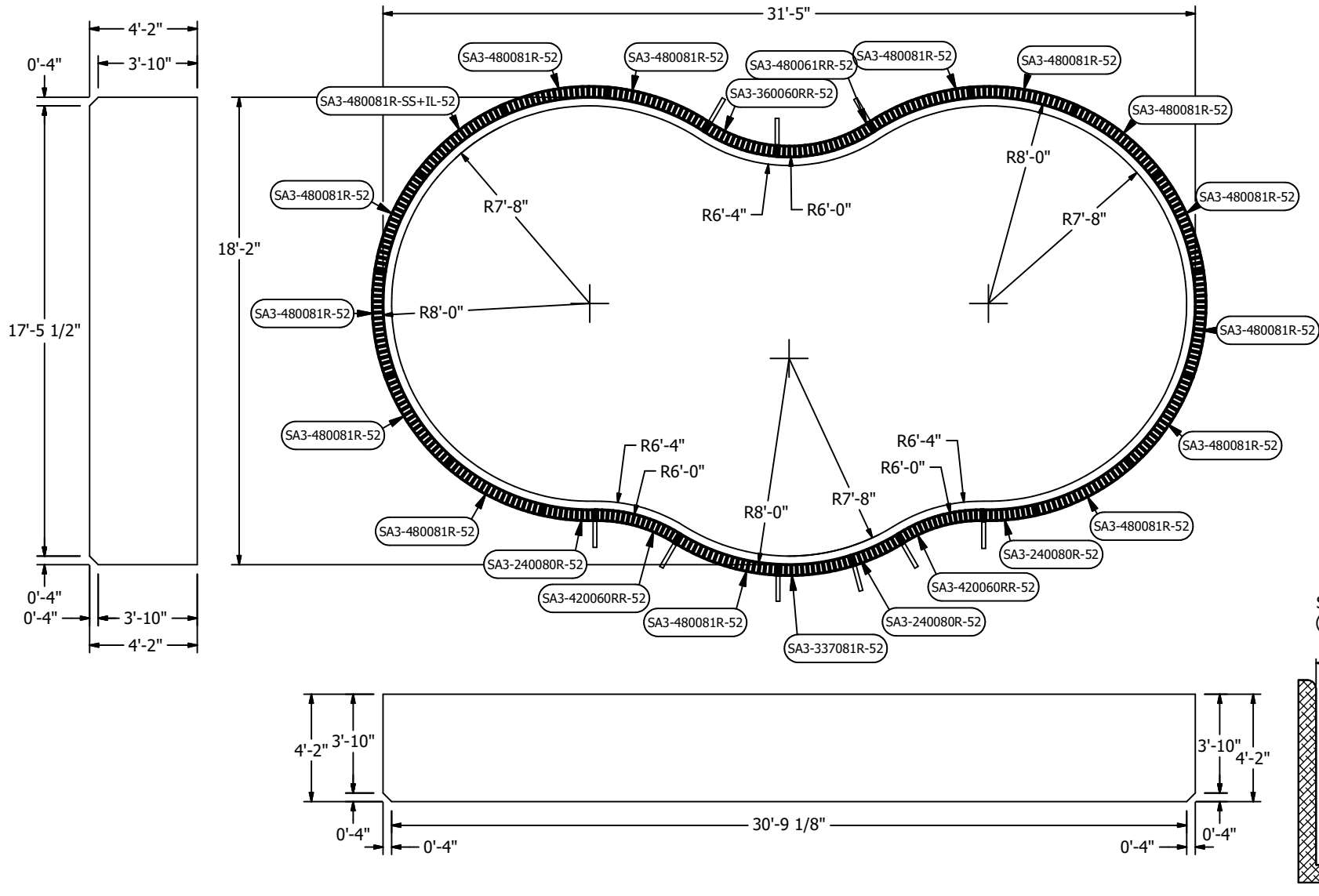


STEEL WALL POOL SYSTEM

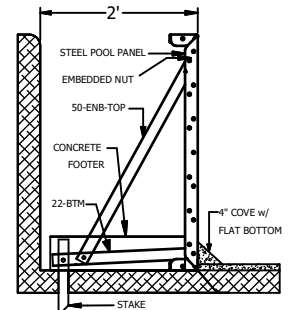
18'-2" x 31'-5" FREEFORM

DWG #: GS-11078-DB DATE: 8/3/2023 REV: - PAGE 2 OF 5

AREA (SqFt): 447 PERIMETER: 83' EST. VOL (US Gal): TBD



ST-1020ENB-52 (SIDE PROFILE)



NO DIVING DANGER: DIVING MAY RESULT IN SERIOUS INJURY OR DEATH. Signage must be permanently attached around the perimeter of the pool.

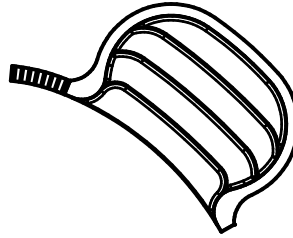
THIS DOCUMENT IS FOR ILLUSTRATIVE PURPOSES ONLY. Original Equipment Manufacturer makes only those representations which are stated in its written warranty. Any other representations, statements, or contracts made by the dealer/contractor to the customer regarding any components produced by Original Equipment Manufacturer are attributable to the dealer/contractor only. The dealer or contractor who sells or installs your pool is an independent contractor and is not an agent or employee of Original Equipment Manufacturer. The construction methods illustrated here are suggestions and apply only to normal ground conditions. There may be additional precautions and/or methods of construction. The responsibility is the contractor's. -A safety line, with buoys, is to be permanently attached 1'-0" to the shallow side of the point of first slope change. -Different methods and precautions may be dictated by various ground conditions. This is to be determined by and is the responsibility of the contractor who is not an agent of the manufacturer of the component parts. -Installation is to be done in accordance with all federal, state and local building codes, as well as A.N.S.I./N.S.P.I. suggested standards. -BOTTOM SPECIFICATIONS MUST MEET OR EXCEED A.N.S.I./N.S.P.I./A.P.S.P. RECOMMENDED STANDARDS -NO DIVING signage must be permanently attached to the entire perimeter of the pool. See instructions with signage. -IT IS RECOMMENDED TO NOT INSTALL DIVING BOARDS AND/OR SLIDING EQUIPMENT ON RESIDENTIAL POOLS. If diving boards and/or sliding equipment is installed by the contractor, such diving boards and sliding equipment MUST BE INSTALLED WITHIN THE GUIDELINES ESTABLISHED BY ANSI/NSPI/ASPA RECOMMENDED STANDARDS, AND IN ACCORDANCE WITH ALL APPLICABLE STATE AND LOCAL CODES AND REGULATIONS.

ICC ES PMG hydrosphere SERIES Semi-Inground Pool by Doughboy

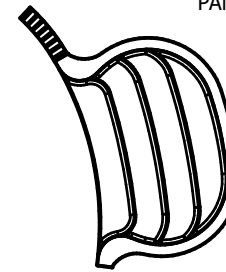
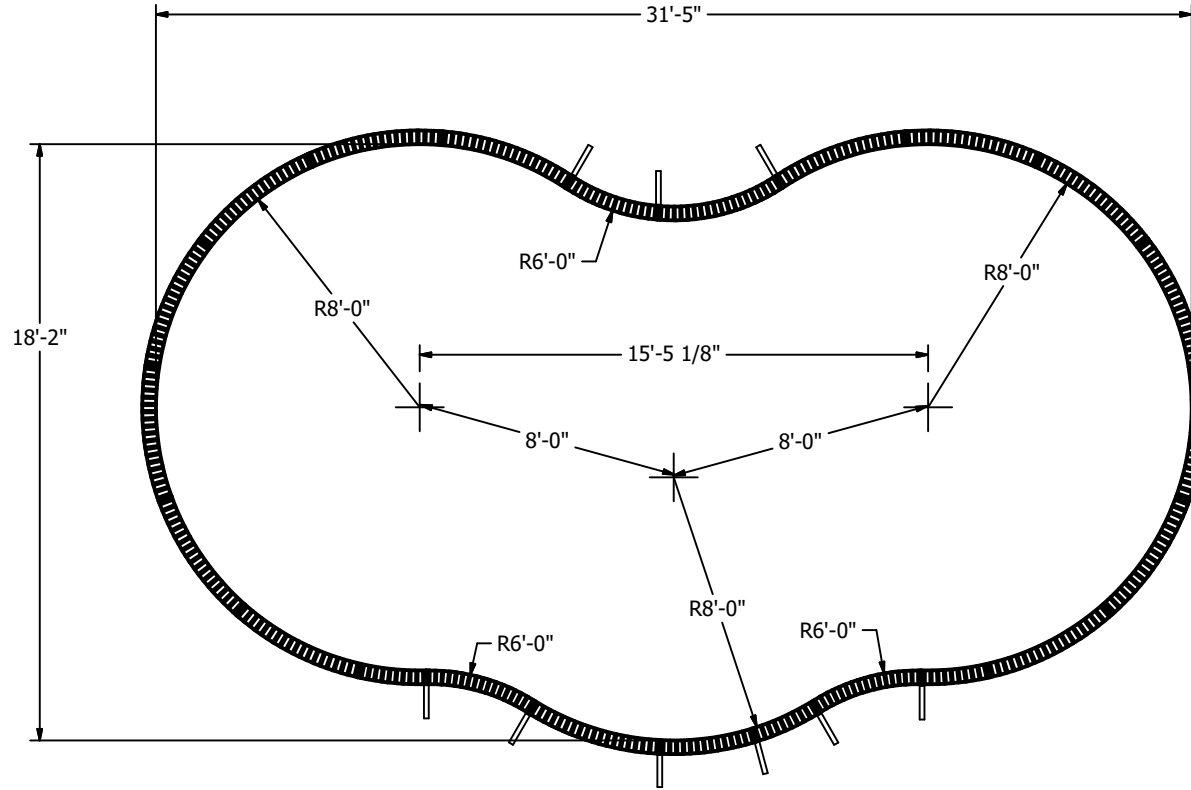
STEEL WALL POOL SYSTEM

18'-2" x 31'-5" FREEFORM

DWG #: GS-11078-DB	DATE: 8/3/2023	REV: -	PAGE 3 OF 5
AREA (SqFt): 447	PERIMETER: 83'	EST. VOL (US Gal): TBD	

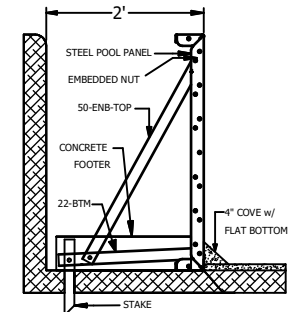


K2FS-1832F6RB - BLUE
 K2FS-1832F6RG - GREY
 K2FS-1832F6RW - WHITE
 (KIT CONTAINS x1 SA3F-2350R-52 PANEL WHICH CAN BE USED IN COMBINATION TO ACCOMATED 6'R STEP)



OPTION
 (REPLACE x2 48" RADIUS
 PANEL ON ANY SIDE)

ST-1020ENB-52
 (SIDE PROFILE)



NO DIVING DANGER: DIVING MAY RESULT IN SERIOUS INJURY OR DEATH. Signage must be permanently attached around the perimeter of the pool.

THIS DOCUMENT IS FOR ILLUSTRATIVE PURPOSES ONLY. Original Equipment Manufacturer makes only those representations which are stated in its written warranty. Any other representations, statements, or contracts made by the dealer/contractor to the customer regarding any components produced by Original Equipment Manufacturer are attributable to the dealer/contractor only. The dealer or contractor who sells or installs your pool is an independent contractor and is not an agent or employee of Original Equipment Manufacturer. The construction methods illustrated here are suggestions and apply only to normal ground conditions. There may be additional precautions and/or methods of construction. The responsibility is the contractor's. -A safety line, with buoys, is to be permanently attached 1'-0" to the shallow side of the point of first slope change. -Different methods and precautions may be dictated by various ground conditions. This is to be determined by and is the responsibility of the contractor who is not an agent of the manufacturer of the component parts. -Installation is to be done in accordance with all federal, state and local building codes, as well as A.N.S.I./N.S.P.I. suggested standards. -BOTTOM SPECIFICATIONS MUST MEET OR EXCEED A.N.S.I./N.S.P.I./A.P.S.P. RECOMMENDED STANDARDS -NO DIVING signage must be permanently attached to the entire perimeter of the pool. See instructions with signage. -IT IS RECOMMENDED TO NOT INSTALL DIVING BOARDS AND/OR SLIDING EQUIPMENT ON RESIDENTIAL POOLS. If diving boards and/or sliding equipment is installed by the contractor, such diving boards and sliding equipment MUST BE INSTALLED WITHIN THE GUIDELINES ESTABLISHED BY ANSI/NSPI/ASPA RECOMMENDED STANDARDS, AND IN ACCORDANCE WITH ALL APPLICABLE STATE AND LOCAL CODES AND REGULATIONS.



