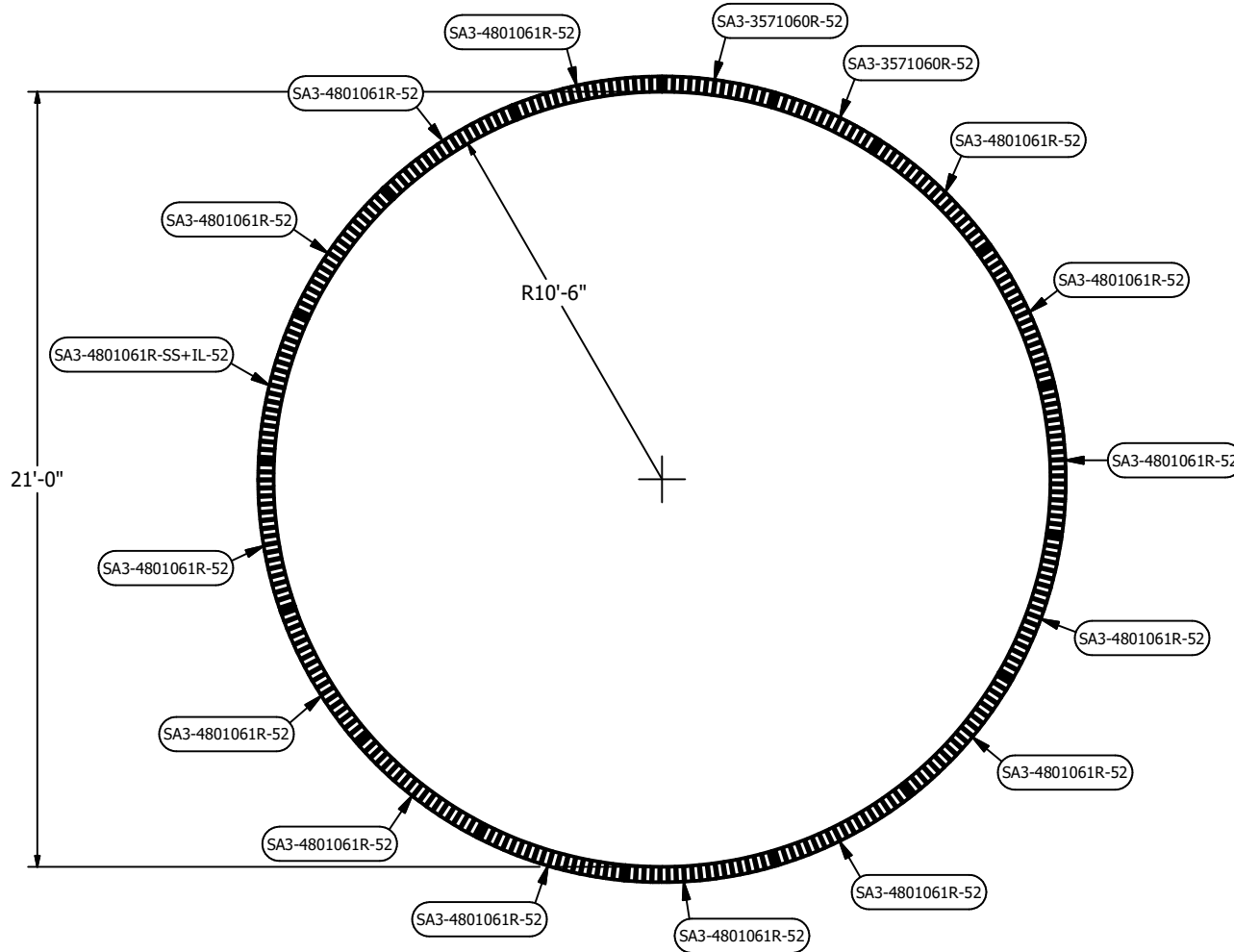


STEEL WALL POOL SYSTEM

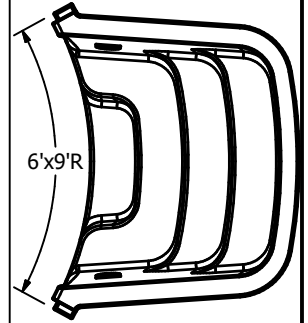
21' ROUND

DWG #: GS-9759-DB	DATE: 8/3/2023	REV: -	PAGE 1 OF 3
AREA (SqFt): 347	PERIMETER: 66	EST. VOL (US Gal): TBD	

21 ROUND INGROUND KIT



RADIUS STEP OPTION
SEE INSTALL GUIDE FOR
INSTALLATION



- K2FS-2100R6B - BLUE
- K2FS-2100R6G - GREY
- K2FS-2100R6W- WHITE

BILL OF MATERIALS			BRACE / HARDWARE OPTIONS		COPING	
QT	PART NUMBER	DESCRIPTION	QTY	PART NUMBER	DESCRIPTION	DESCRIPTION
2	SA3-3571060R-52	Stl Pnl 35 7/8" x 10'-6"R (52" Tall) - 1 Rib	1	HW-2002	Hdw Steel/Rrd Kit	Hdw No-Diving Plate(7/Bag)
14	SA3-4801061R-52	Stl Pnl 48" x 10'-6"R (52" Tall)- 1 Rib	1	HW-1007	Hdw 12x1" Tek Screws - 100/Box	Hdw 12x1" Tek Screws - 100/Box
1	SA3-4801061R-SS+IL-52	Stl Pnl 48" x 10'-6"R Skim(1084)+Inlet Left (52" Tall)-1 Rib	2	HW-2013	Hdw Steel Add-on Kit (3/8" Bolts-100, 3/8" Nuts-100)	Alu Txt Clips - Grey - 15/Bag
						Alu Txt 8'x10'-6"R Bull Std-Grey-4/Box
						Alu Txt 8'x10'-6"R Bull Std-Grey-1/Box

NO DIVING DANGER: DIVING MAY RESULT IN SERIOUS INJURY OR DEATH. Signage must be permanently attached around the perimeter of the pool.

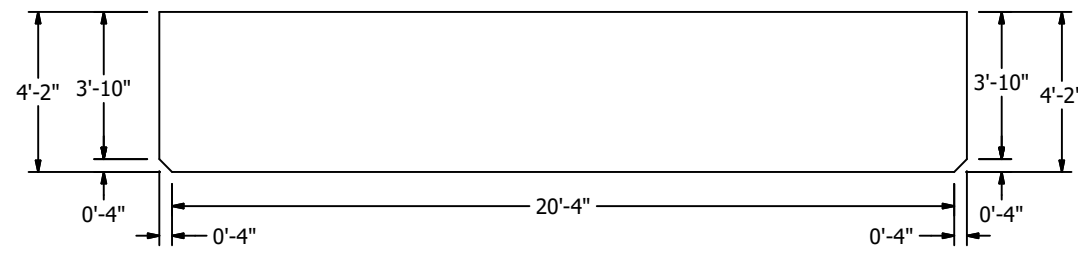
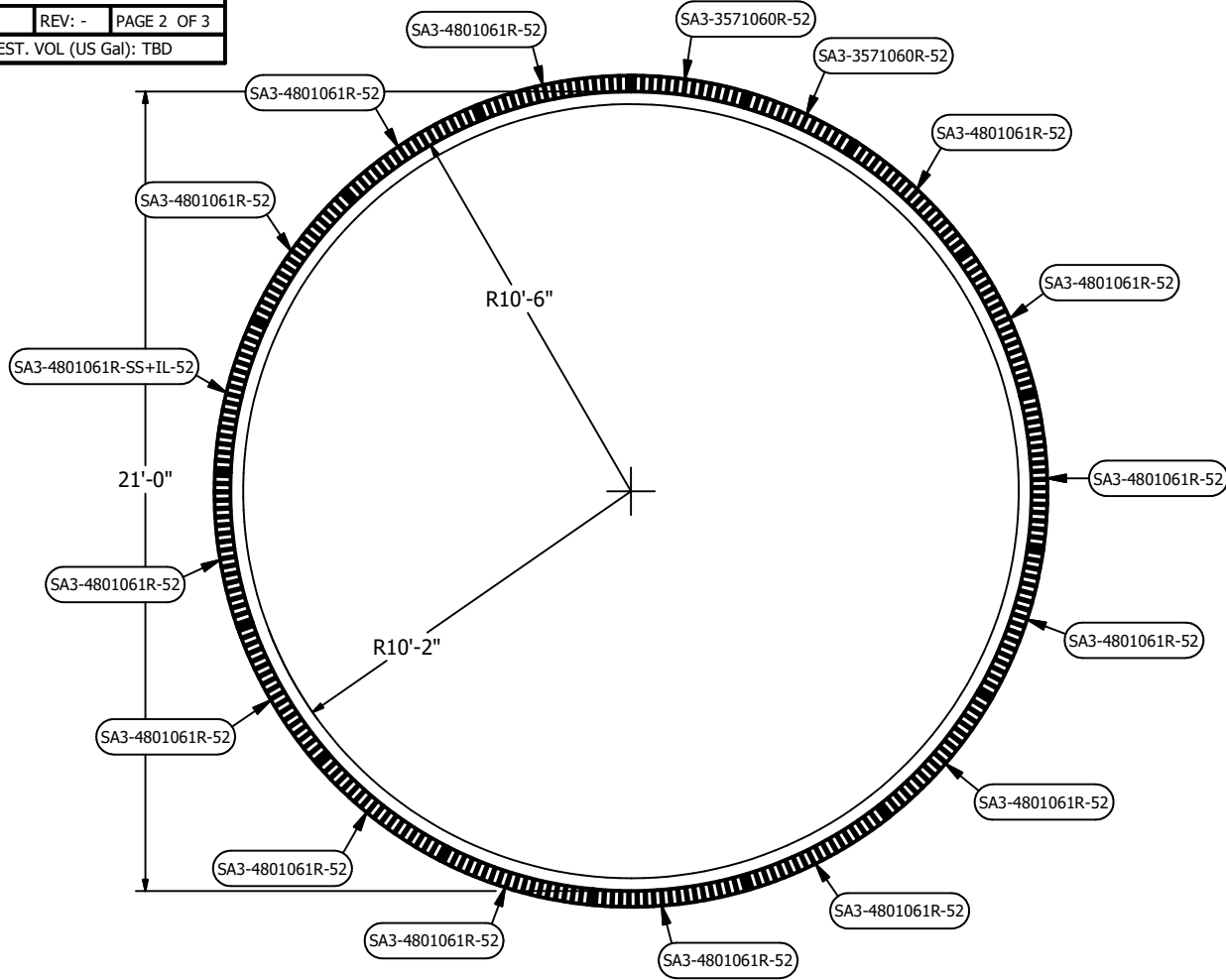
THIS DOCUMENT IS FOR ILLUSTRATIVE PURPOSES ONLY. Original Equipment Manufacturer makes only those representations which are stated in its written warranty. Any other representations, statements, or contracts made by the dealer/contractor to the customer regarding any components produced by Original Equipment Manufacturer are attributable to the dealer/contractor only. The dealer or contractor who sells or installs your pool is an independent contractor and is not an agent or employee of Original Equipment Manufacturer. The construction methods illustrated here are suggestions and apply only to normal ground conditions. There may be additional precautions and/or methods of construction. The responsibility is the contractor's. -A safety line, with buoys, is to be permanently attached 1'-0" to the shallow side of the point of first slope change. -Different methods and precautions may be dictated by various ground conditions. This is to be determined by and is the responsibility of the contractor who is not an agent of the manufacturer of the component parts. -Installation is to be done in accordance with all federal, state and local building codes, as well as A.N.S.I./N.S.P.I. suggested standards. -BOTTOM SPECIFICATIONS MUST MEET OR EXCEED A.N.S.I./N.S.P.I./A.P.S.P. RECOMMENDED STANDARDS -NO DIVING signage must be permanently attached to the entire perimeter of the pool. See instructions with signage. -IT IS RECOMMENDED TO NOT INSTALL DIVING BOARDS AND/OR SLIDING EQUIPMENT ON RESIDENTIAL POOLS. If diving boards and/or sliding equipment is installed by the contractor, such diving boards and sliding equipment MUST BE INSTALLED WITHIN THE GUIDELINES ESTABLISHED BY ANSI/NSPI/ASPA RECOMMENDED STANDARDS, AND IN ACCORDANCE WITH ALL APPLICABLE STATE AND LOCAL CODES AND REGULATIONS.



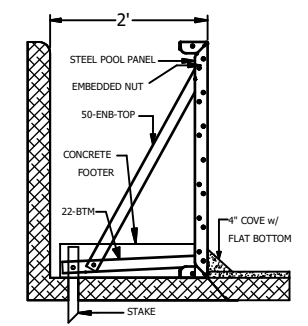
STEEL WALL POOL SYSTEM

21' ROUND

DWG #: GS-9759-DB	DATE: 8/3/2023	REV: -	PAGE 2 OF 3
AREA (SqFt): 347	PERIMETER: 66	EST. VOL (US Gal): TBD	



ST-1020ENB-52 (SIDE PROFILE)



NO DIVING DANGER: DIVING MAY RESULT IN SERIOUS INJURY OR DEATH. Signage must be permanently attached around the perimeter of the pool.

THIS DOCUMENT IS FOR ILLUSTRATIVE PURPOSES ONLY. Original Equipment Manufacturer makes only those representations which are stated in its written warranty. Any other representations, statements, or contracts made by the dealer/contractor to the customer regarding any components produced by Original Equipment Manufacturer are attributable to the dealer/contractor only. The dealer or contractor who sells or installs your pool is an independent contractor and is not an agent or employee of Original Equipment Manufacturer. The construction methods illustrated here are suggestions and apply only to normal ground conditions. There may be additional precautions and/or methods of construction. The responsibility is the contractor's. -A safety line, with buoys, is to be permanently attached 1'-0" to the shallow side of the point of first slope change. -Different methods and precautions may be dictated by various ground conditions. This is to be determined by and is the responsibility of the contractor who is not an agent of the manufacturer of the component parts. -Installation is to be done in accordance with all federal, state and local building codes, as well as A.N.S.I./N.S.P.I. suggested standards. -BOTTOM SPECIFICATIONS MUST MEET OR EXCEED A.N.S.I./N.S.P.I./A.P.S.P. RECOMMENDED STANDARDS. -NO DIVING signage must be permanently attached to the entire perimeter of the pool. See instructions with signage. -IT IS RECOMMENDED TO NOT INSTALL DIVING BOARDS AND/OR SLIDING EQUIPMENT ON RESIDENTIAL POOLS. If diving boards and/or sliding equipment is installed by the contractor, such diving boards and sliding equipment MUST BE INSTALLED WITHIN THE GUIDELINES ESTABLISHED BY ANSI/NSPI/ASPA RECOMMENDED STANDARDS, AND IN ACCORDANCE WITH ALL APPLICABLE STATE AND LOCAL CODES AND REGULATIONS.



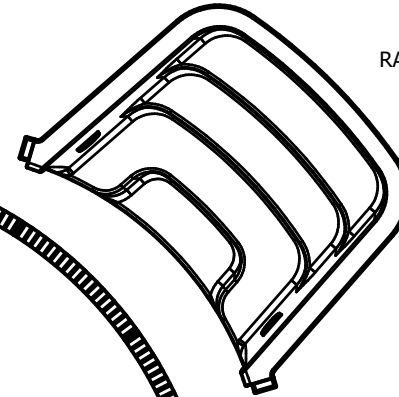
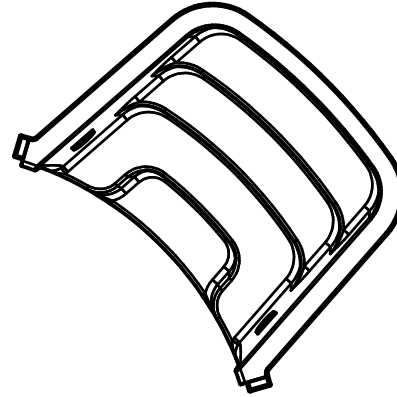
STEEL WALL POOL SYSTEM

21' ROUND

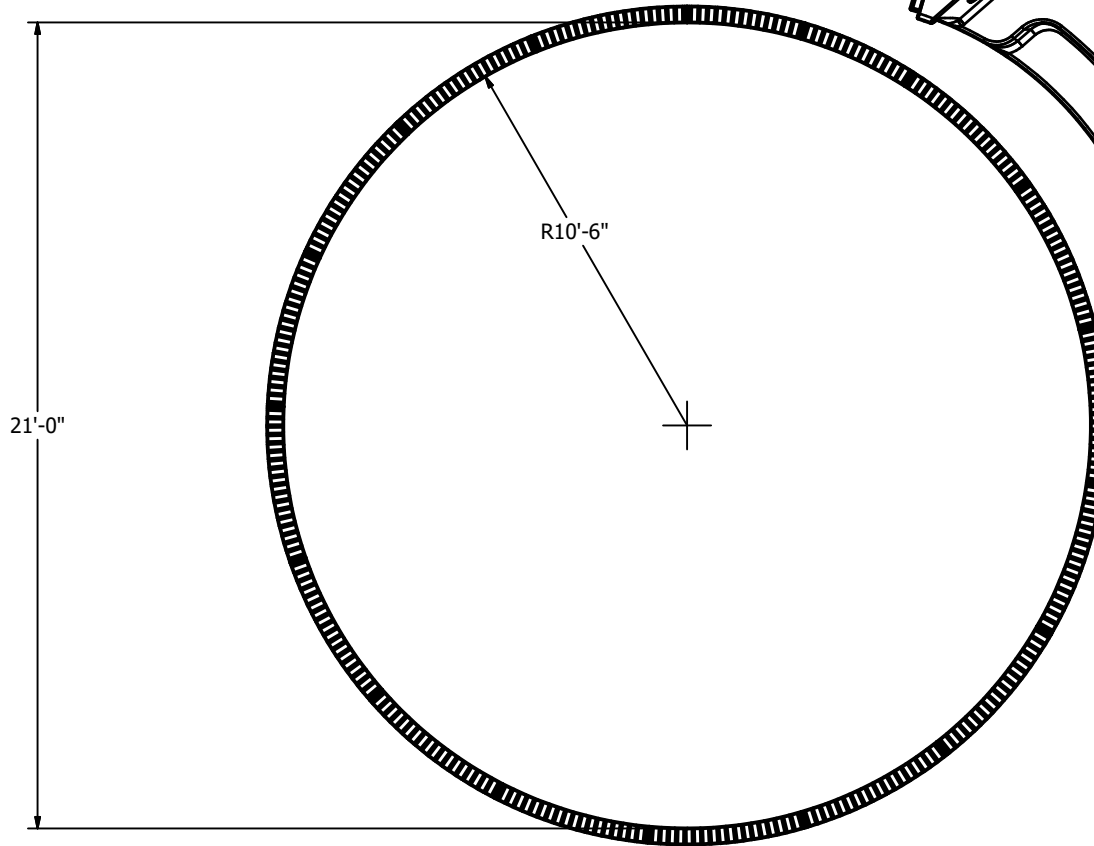
DWG #: GS-9759-DB	DATE: 8/3/2023	REV: -	PAGE 3 OF 3
AREA (SqFt): 347	PERIMETER: 66	EST. VOL (US Gal): TBD	

- K2FS-2100R6RB - BLUE
- K2FS-2100R6RG - GREY
- K2FS-2100R6RW - WHITE

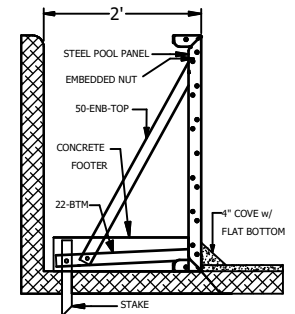
(KIT CONTAINS EVERYTHING NEEDED PANEL WHICH CAN BE USED IN COMBINATION TO ACCOMODATE 6'R STEP)



OPTION
(REPLACE x2 35 7/8"
RADIUS PANEL ON ANY SIDE)



ST-1020ENB-52
(SIDE PROFILE)



NO DIVING DANGER: DIVING MAY RESULT IN SERIOUS INJURY OR DEATH. Signage must be permanently attached around the perimeter of the pool.

THIS DOCUMENT IS FOR ILLUSTRATIVE PURPOSES ONLY. Original Equipment Manufacturer makes only those representations which are stated in its written warranty. Any other representations, statements, or contracts made by the dealer/contractor to the customer regarding any components produced by Original Equipment Manufacturer are attributable to the dealer/contractor only. The dealer or contractor who sells or installs your pool is an independent contractor and is not an agent or employee of Original Equipment Manufacturer. The construction methods illustrated here are suggestions and apply only to normal ground conditions. There may be additional precautions and/or methods of construction. The responsibility is the contractor's. -A safety line, with buoys, is to be permanently attached 1'-0" to the shallow side of the point of first slope change. -Different methods and precautions may be dictated by various ground conditions. This is to be determined by and is the responsibility of the contractor who is not an agent of the manufacturer of the component parts. -Installation is to be done in accordance with all federal, state and local building codes, as well as A.N.S.I./N.S.P.I. suggested standards. -BOTTOM SPECIFICATIONS MUST MEET OR EXCEED A.N.S.I./N.S.P.I./A.P.S.P. RECOMMENDED STANDARDS -NO DIVING signage must be permanently attached to the entire perimeter of the pool. See instructions with signage. -IT IS RECOMMENDED TO NOT INSTALL DIVING BOARDS AND/OR SLIDING EQUIPMENT ON RESIDENTIAL POOLS. If diving boards and/or sliding equipment is installed by the contractor, such diving boards and sliding equipment MUST BE INSTALLED WITHIN THE GUIDELINES ESTABLISHED BY ANSI/NSPI/ASPA RECOMMENDED STANDARDS, AND IN ACCORDANCE WITH ALL APPLICABLE STATE AND LOCAL CODES AND REGULATIONS.

